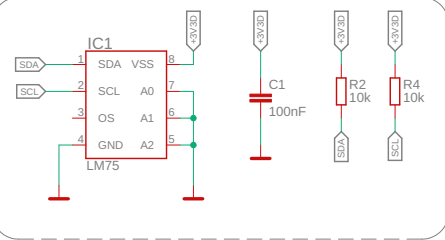
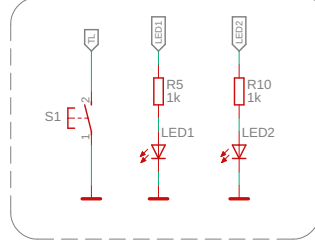


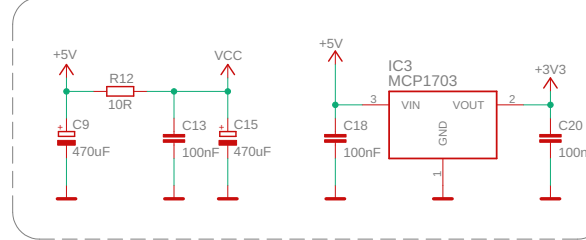
Temperature



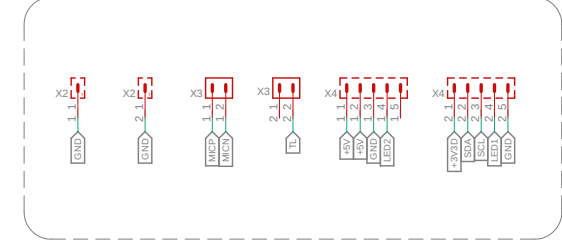
Button, LEDs



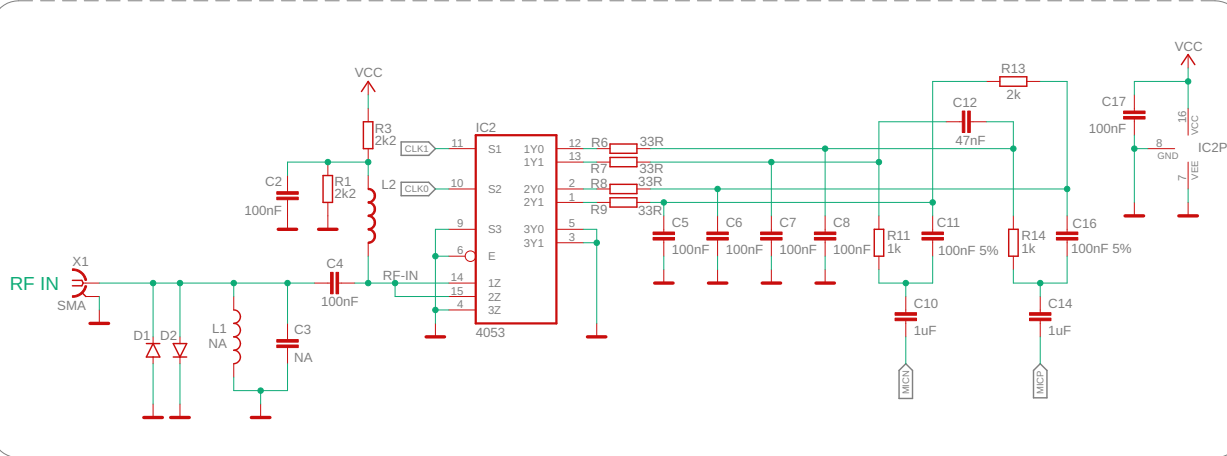
Power



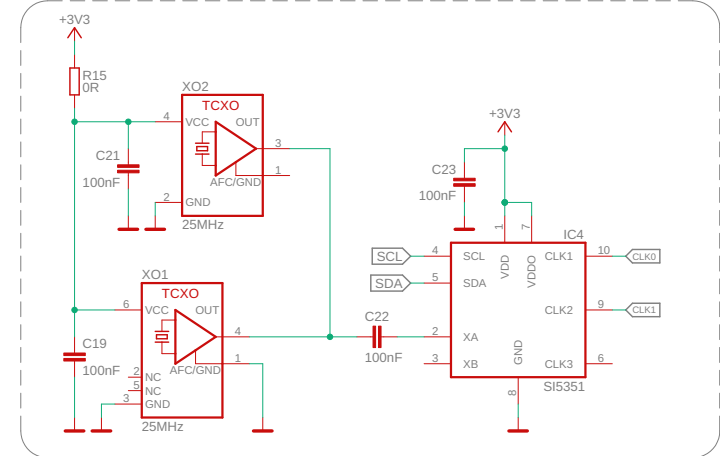
Connection to NanoPI



RF input and Quadrature Sampling Detector



TCXO + Programmable Clock Generator



without the external band pass filter use this values for internal LC filter

Band	L1 [uF]	C3 [pF]
160m	2.2	4000
80m	1.1	2000
40m	0.55	1000
20m	0.28	500
15m	0.18	330
10m	0.14	250

WSPR Receiver v4.0 for HF bands

TITLE: WSPR_Receiver	RemoteQTH.com
Document Number: openWSPR.com	REV: A
Date: 20.11.2023 19:03 @0K1RAJ DevTeam	Sheet: 1/1